

NOTES

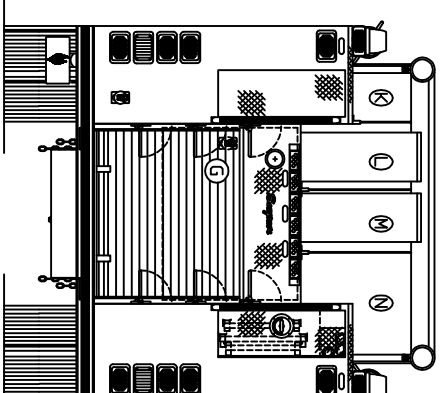
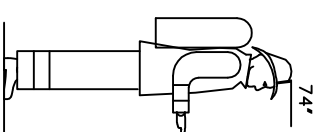
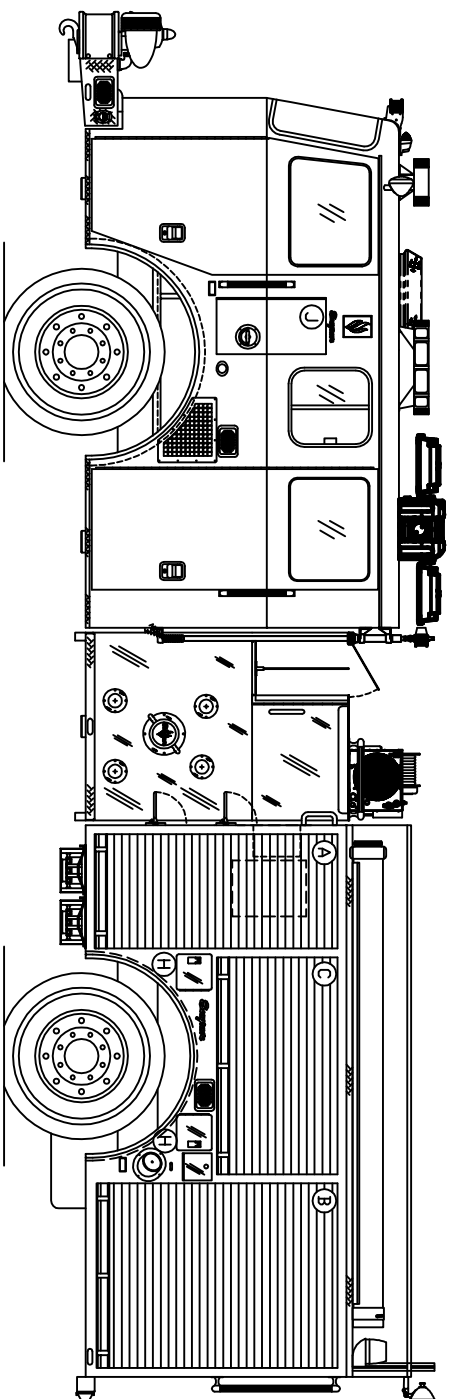
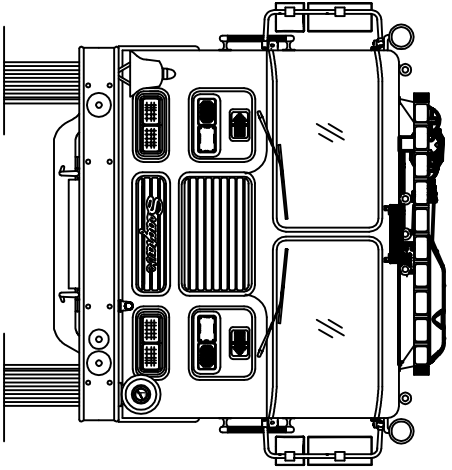
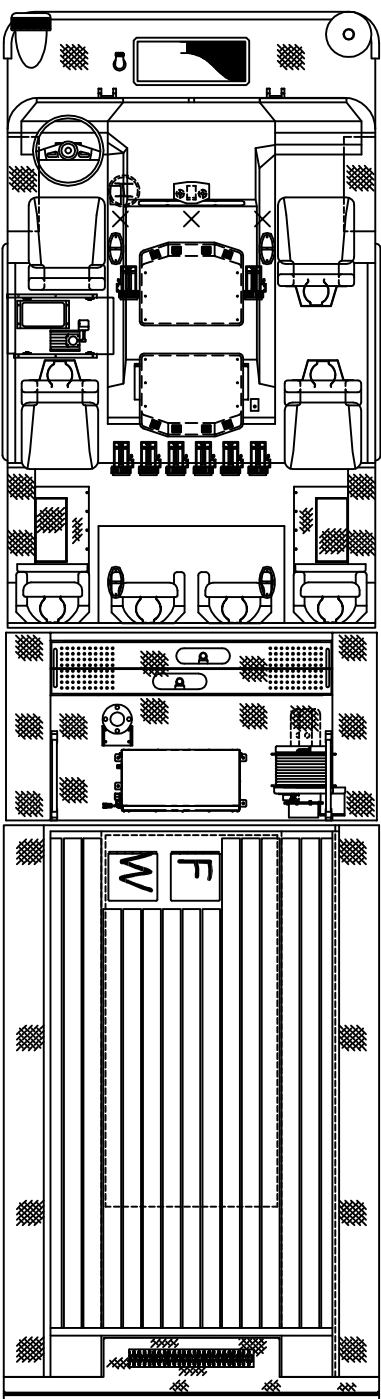
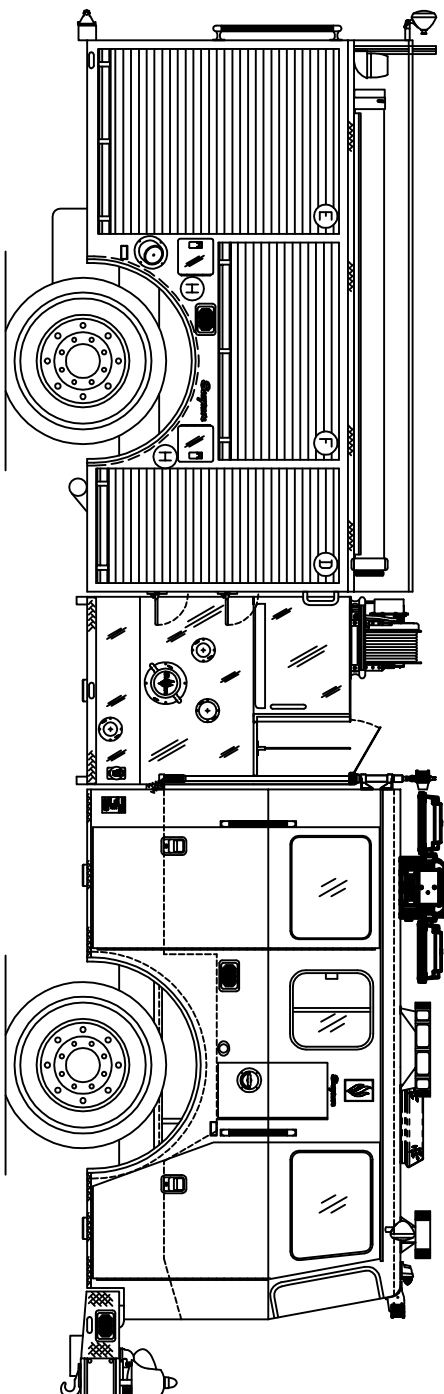
ALL VERTICALLY HINGED COMP'T. DOORS TO HAVE HANSEN DOOR STAYS  
 PRVD. BLACK DURABLE WEAR ON ALL SEATS  
 PRVD. ONE (1) 300# ALUM. ROLLOUT TRAY IN LOWER PORTION OF COMP'TS. 'A', 'B', 'D', 'E', & TWO (2) IN 'G'  
 PRVD. ONE (1) ADJ. 250# ALUM. ROLLOUT DROP DOWN TRAY IN LH COMP'T. 'B' & 'C'  
 LOCATE 2 COMP'T. VENTS IN EACH COMP'TS. 'B', 'E' & 'G'  
 LOCATE SIX (6) ADJ. SHELVES AS FOLLOWS:  
 L.H. COMP'T. 'A'-THREE (3)  
 L.H. COMP'T. 'B'-ONE (1)  
 R.H. COMP'T. 'D'-ONE (1) IN LOWER PORTION  
 R.H. COMP'T. 'E'-ONE (1) IN LOWER PORTION  
 MAP BOX TO BE SHIPPED LOOSE  
 BRACKET FOR HANDHELD SPOTLIGHT TO BE SHIPPED LOOSE  
 CONTROL BOX FOR THE LIGHT TOWER TO BE SHIPPED LOOSE

COMPARTMENTS

Ⓐ	ONE	31.50 WIDE	64.50 HIGH	23.75 DEEP
Ⓑ	ONE	47.25 WIDE	64.50 HIGH	23.75 DEEP
Ⓒ	ONE	60.00 WIDE	33.38 HIGH	23.75 DEEP
Ⓓ	ONE	31.50 WIDE	64.50 HIGH	23.75 DEEP
Ⓔ	ONE	UPPER 33.38 HIGH	9.50 DEEP	
Ⓕ	ONE	UPPER 47.25 WIDE	64.50 HIGH	23.75 DEEP
Ⓖ	ONE	UPPER 60.00 WIDE	33.38 HIGH	9.50 DEEP
Ⓗ	ONE	46.00 WIDE	38.00 HIGH	28.00 DEEP
Ⓘ	FOUR	(< 7 SCBA BOTTLES TOTAL)		
Ⓝ	ONE	14.00 WIDE	25.00 HIGH	25.00 DEEP
Ⓞ	LOWER	12.00 HIGH	21.00 DEEP	

AMOUNT OF HOSE	WIDTH	HEIGHT
Ⓚ 400 FT. 1 3/4"	13.00	15.00
Ⓛ 300 FT. 5"	16.50	28.00
Ⓜ 1000 FT. 3"	20.00	28.00
Ⓝ 1000 FT. 3"	24.00	28.00/15.00




NOTE: DIMENSIONS SHOWN ARE APPROX. & SUBJECT TO MINOR DEVIATIONS AS MAY OCCUR OR BE NECESSARY IN CONSTRUCTION. THE INDICATED VEHICLE HEIGHT REPRESENTS A CALCULATED DIMENSION. THE ACTUAL HEIGHT OF THE UNIT AS SHIPPED FROM THE FACTORY MAY VARY. THE HOSE CAPACITY IS A CALCULATED AMOUNT. THE ACTUAL CAPACITY MAY VARY DEPENDENT UPON THE STYLE AND VENDOR OF THE HOSE. MINOR DETAILS NOT SHOWN WHERE THERE MAY BE NONCONFORMITY BETWEEN THE ILLUSTRATION AND THE SALES ORDER THE ORIGINAL SALES ORDER & ALL APPROVED SALES CHANGES WILL PREVAIL.

MODEL TB 50 DA PROPOSED FOR  
 CITY OF RYE  
 RYE, NEW YORK

SALES ORDER  
 78D47

CAB	MARAUDER T6 EXT
ENGINE	SERIES 60 430HP
PUMP	HALE 1500 GPM
BODY MATL	M-EXT. FD ALUM.
AERIAL	

S.O.C. 'E-H' BJS 06/30/2006  
 CHGS 'A-D' CMH 06/30/2006  
  
 Scagnum Fire Apparatus, LLC  
 106 E 12th St  
 Greenwood, WI 53029  
 Phone 1881 54929

UPDATE #	CMH
DRAWN BY	BJS
DATE	03/03/2006
SCALE	1/2"=1FT
NO.	PE13763