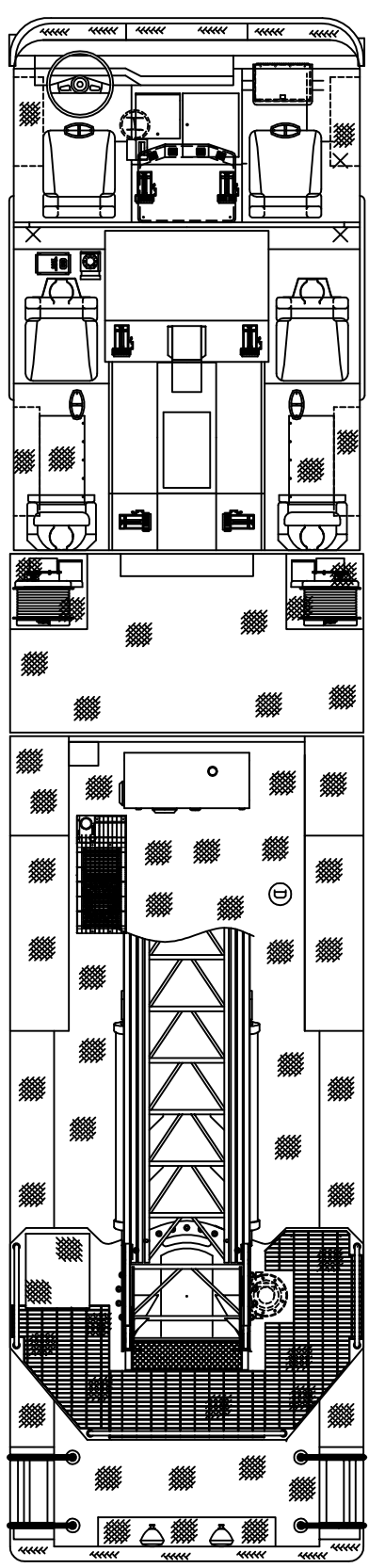
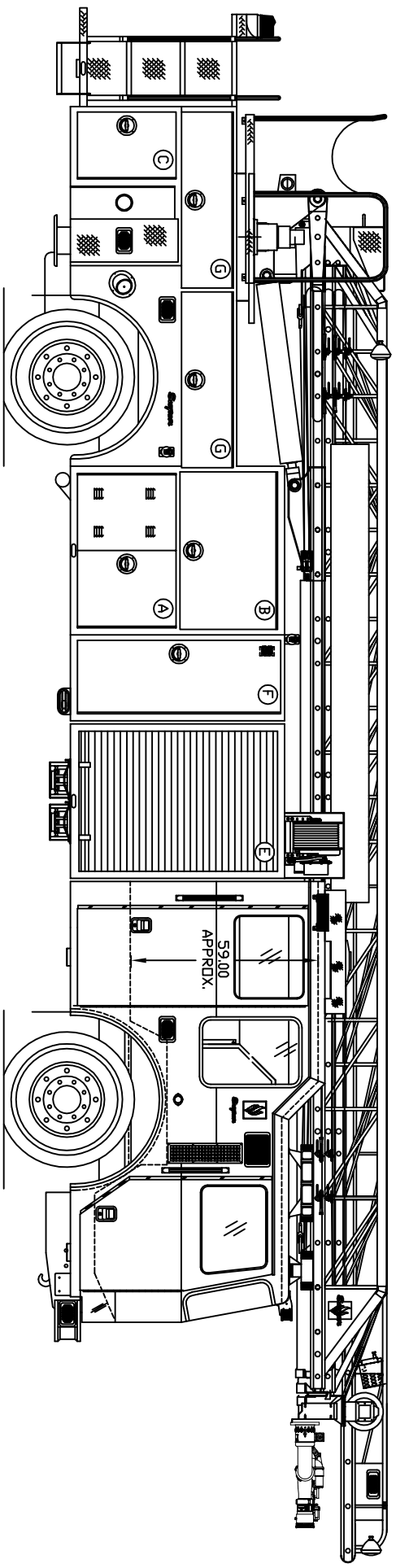


COMPARTMENTS

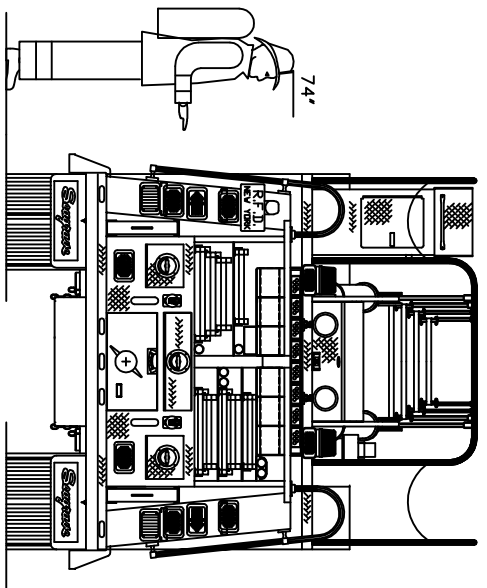
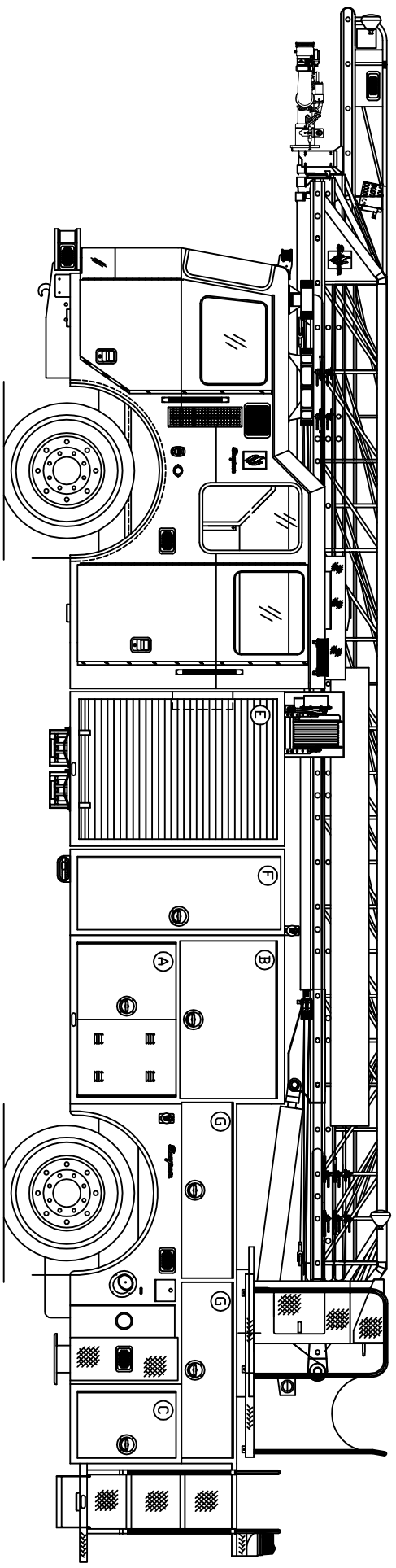
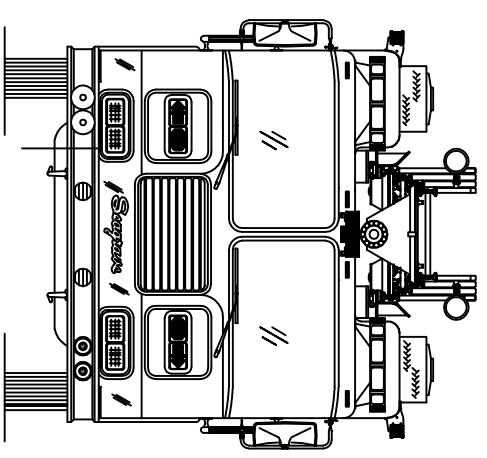
Ⓐ	TWO	53.00 WIDE	31.50 HIGH	24.00 DEEP
		TDP	9.00 HIGH	13.75 DEEP
Ⓑ	TWO	53.00 WIDE	33.00 HIGH	13.75 DEEP
Ⓒ	TWO	25.00 WIDE	31.50 HIGH	24.00 DEEP
		TDP	9.00 HIGH	13.75 DEEP
Ⓓ	ONE	64.00 WIDE	7.00 HIGH	144.00 LONG
Ⓔ	TWO	48.50 WIDE	64.00 HIGH	24.00 DEEP
		TDP	32.00 HIGH	92.00 DEEP
Ⓕ	TWO	27.00 WIDE	64.00 HIGH	24.00 DEEP
		TDP	41.50 HIGH	13.75 DEEP
Ⓖ	TWO	27.00 WIDE	64.00 HIGH	24.00 DEEP
		TDP	41.50 HIGH	13.75 DEEP

NOTES

PRVD HI-POLISHED SS CAB DOOR FRAME SCUFFPLATES
PER QW 20-50-19
PRVD POLISHED SS BELLYBAND PER QW 21-28-52
PRVD ROM LED STRIPLIGHTS PER QW 23-25-21 & 23-25-24
PRVD LOUVERS IN COMPT. DOORS PER QW 59-00-33
PRVD PEG BOARD PER QW 59-16-08
PRVD COMPT. DOOR SCUFFPLATES PER QW 59-20-00, 59-20-01, & 59-20-04
PRVD HIGH POLISHED SS RUBRAILS PER QW 59-20-43
CONTACT SALES PER QW 60-31-01



LADDERS (DUO-SAFETY)
16FT. ROOF #875A 16FT. ROOF #875A
35FT. 3 SEC #1225A 15FT. CDMB #300A
10FT. FOLDING #585A 24FT. 2 SEC #900A



NOTE: DIMENSIONS SHOWN ARE APPROX. & SUBJECT TO MINOR DEVIATIONS AS MAY OCCUR OR BE NECESSARY IN CONSTRUCTION. THE INDICATED VEHICLE HEIGHT REPRESENTS A CALCULATED DIMENSION. THE ACTUAL HEIGHT OF THE UNIT AS SHIPPED FROM THE FACTORY MAY VARY. THE HOSE CAPACITY IS A CALCULATED AMOUNT. THE ACTUAL CAPACITY MAY VARY DEPENDENT UPON THE STYLE AND VENDOR OF THE HOSE. MINOR DETAILS NOT SHOWN WHERE THERE MAY BE NONCONFORMITY BETWEEN THE ILLUSTRATION AND THE SALES ORDER. THE ORIGINAL SALES ORDER & ALL APPROVED SALES CHANGES WILL PREVAIL.

MODEL LP 06 DA PROPOSED FOR
RYE FIRE DEPARTMENT
RYE, NEW YORK
SALES ORDER
75847

CAB	L-EXT	FRT AXLE	#FL-941
ENGINE	SERIES 60 430HP	REAR AXLE	#RS30-185
PUMP	N/A	FUEL	65 GAL
BDDY MATL	RA S/S	WATER	N/A
AERIAL	100' 250#	FOAM	N/A

FIRE APPARATUS, LLC.
CLINTONVILLE, WISCONSIN
CUSTOMER APPROVED:
DATE: 10/13/2006
SCALE 1/2"=1FT
ND: PE13825

UPDATE #2	TMP
01/29/2007	
CHANGE 'C'	RJL
1/19/2007	
UPDATE #1	TMP
11/27/2006	
DRAWN BY:	TMP